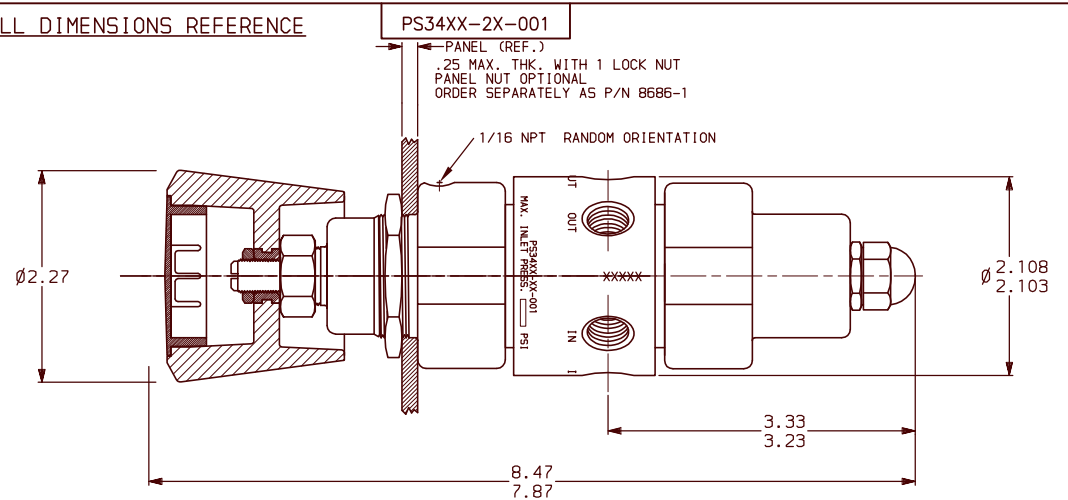
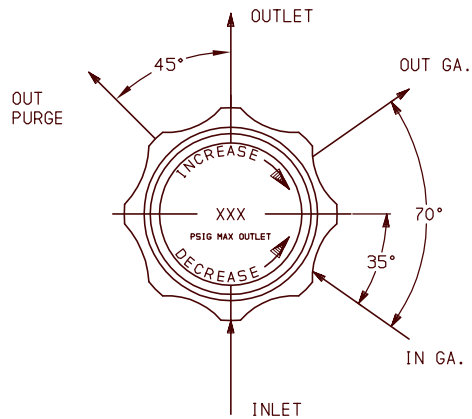


ALL DIMENSIONS REFERENCE



PS3400 SERIES REGULATOR

SPRING LOADED, HAND OPERATED, PRESSURE REDUCING, TWO STAGE REGULATOR, POSITIVE SEAL DESIGN, WITH METAL TO METAL SEALED DIAPHRAGMS.

GENERAL SPECIFICATIONS:

PORTING
SCD: SPECTRA GAS
CAPTURED BONNET W/ PACKING

GENERAL SPECIFICATIONS:

INLET PRESSURE: 3000 PSIG MAX.
OUTLET PRESSURE: SEE TABLE II
DESIGN PROOF PRESSURE: 150% OF RATED PRESSURE
PRESSURE RATING, PER CRITERIA OF ANSI/ASME B31.3
OPERATING TEMPERATURE: -40°F TO +165°F
LEAKAGE: INTERNAL: BUBBLE TIGHT
EXTERNAL: 2×10^{-8} atm cc/sec. He
FLOW CAPACITY (C.v.): .05
DECAYING INLET: .06 PSI/100 PSI
WEIGHT: APPROXIMATELY 3 LBS.

MATERIALS CONTACTING LINE MEDIA:

SEAT (1ST STAGE): CTFE
SEAT (2ND STAGE): TEFLON
FRICTION SLEEVE (INNER): TEFLON
FRICTION SLEEVE (OUTER): SEE TABLE I
BODY: SEE TABLE I
FILTER: 316 SST
DIAPHRAGMS: SEE TABLE I
REMAINING PARTS: SEE TABLE I

ASSEMBLY INFORMATION:

FOR ASSEMBLY OF THIS UNIT SEE SHEET 2 OF 2

KITS:

NONMETALLIC: 389-6422

REPAIR:

389-6421

TABLE I	DASH NO.	BODY MATERIAL	DIAPHRAGMS	SPRING	FRICTION SLEEVE (OUTER)	REMAINING PARTS
	6	316 SST	316 SST	316 SST	316 SST	316 SST

TABLE II	DASH NO.	OUTLET PRESSURE	PROOF PRESSURE
	0	0-25 PSI	150%
	1	0-50 PSI	
	2	0-100 PSI	
	3	0-150 PSI	

SERIES NUMBER
MODIFICATION NUMBER
PS3460-24-001

TABLE IV	DASH NO./LTR	INLET & OUTLET PORT SIZE
	4	1/4

TABLE III	DASH NO.	IN & OUT PORT TYPE
	2	NPT

NOTES:

- REGULATOR INCORPORATES AN ADJUSTABLE STOP WHICH ALLOWS THE MAXIMUM OUTLET PRESSURE TO BE LIMITED TO ANY VALUE BETWEEN THE MAXIMUM RATED VALUE AND 50% OF THE MAXIMUM RATED VALUE.

SCD: SPECTRA GAS

REV.	DATE	ECO NO.	BY:	APPR
P	6-3-05	1379-05	DKD	DP
N	01-11-05	1015-05	DKD	MKS
M	9-1-01	856-00	JLS	MKS
L	12-1-00	1325-00	JLS	MKS
K	11-11-00	1077-00	RAG	MKS
J	3-9-98	67-98	SJW	MKS
H	12-28-95	1000-95	SJW	MKS

TESCOM CORPORATION
INDUSTRIAL CONTROLS DIVISION
ELK RIVER, MN USA

INFORMATION CONTAINED ON THIS DOCUMENT IS THE PROPERTY OF TESCOM CORPORATION. NO RIGHTS ARE CONVEYED NOR IS PERMISSION TO DISCLOSE TO OTHERS GIVEN.

UNLESS OTHERWISE SPECIFIED:
.0 ± .020 ANGLES: ±1°
.00 ± .010
.000 ± .005

SURFACE ROUGHNESS: 100
CORNER & FILLET RADI: .005-.020
THREADS: CLASS 2
REMOVE ALL BURRS

MFG. SPEC. 80301

DRAWING MADE IN THIRD ANGLE PROJECTION
(DO NOT SCALE DRAWING)

MATERIAL: X	DRAWN BY: SJW 3-9-98			CHECKED BY: MKS 3-9-98			APPROVED BY: MKS 3-9-98		
FINISH: X	NAME INSTALLATION INFORMATION								
SCALE: 1:1	SIZE C	NUMBER PS34XX-2X-001	SHT. 1 OF 2						
CODE NO. 13669									